

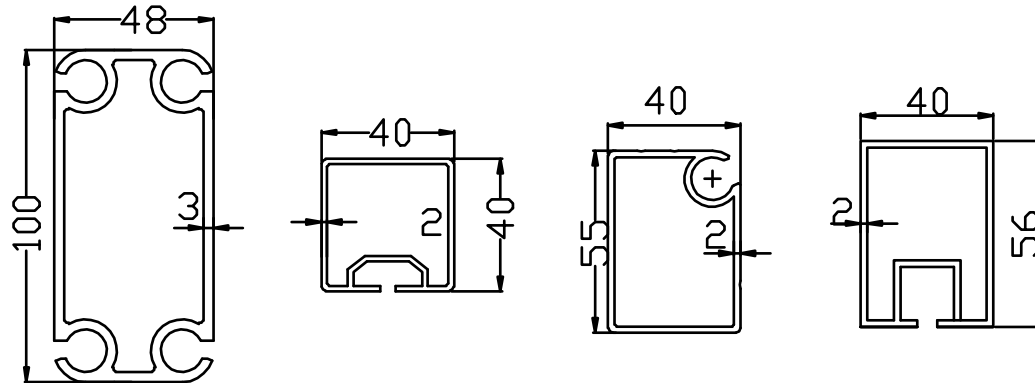
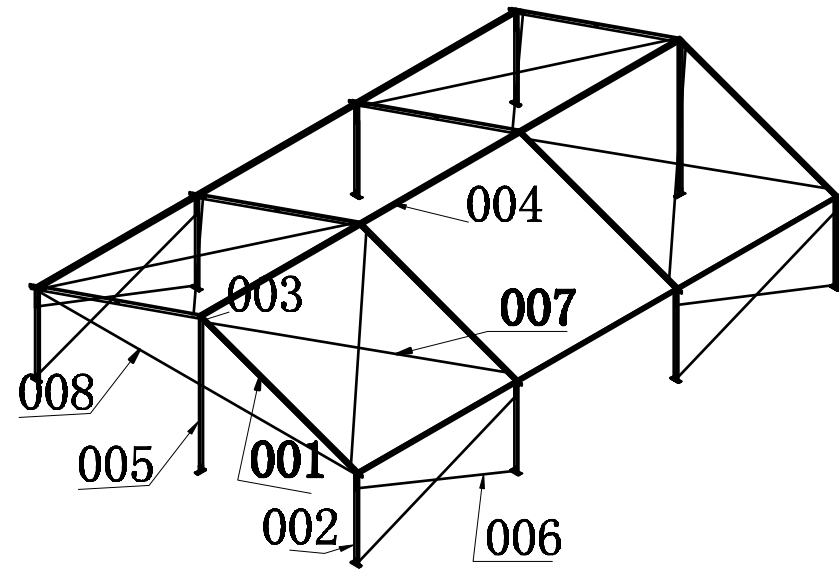
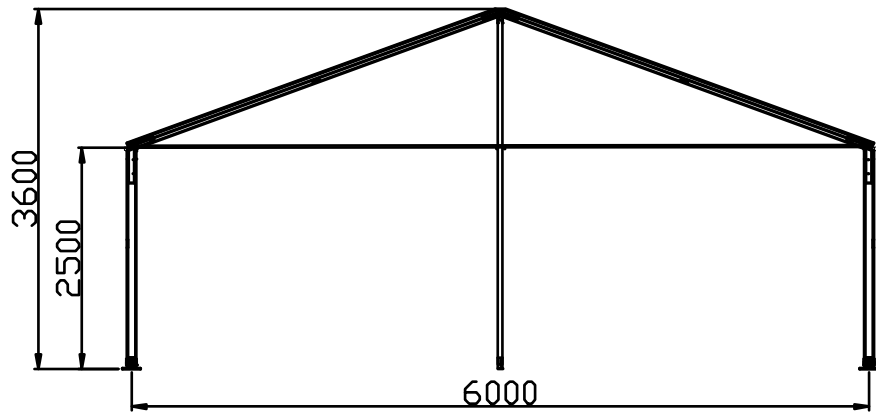
# 6m x 9m CREST INSTRUCTIONS

## **WARNING READ INSTRUCTIONS CAREFULLY BEFORE USE**

Recommended procedure below. For safety reasons it is recommended that four persons set up any marquee.  
Ensure area is free from any sharp objects & overhead objects.



*This is a feature image and not specific to the order.*



DO80687 Vimy Resources

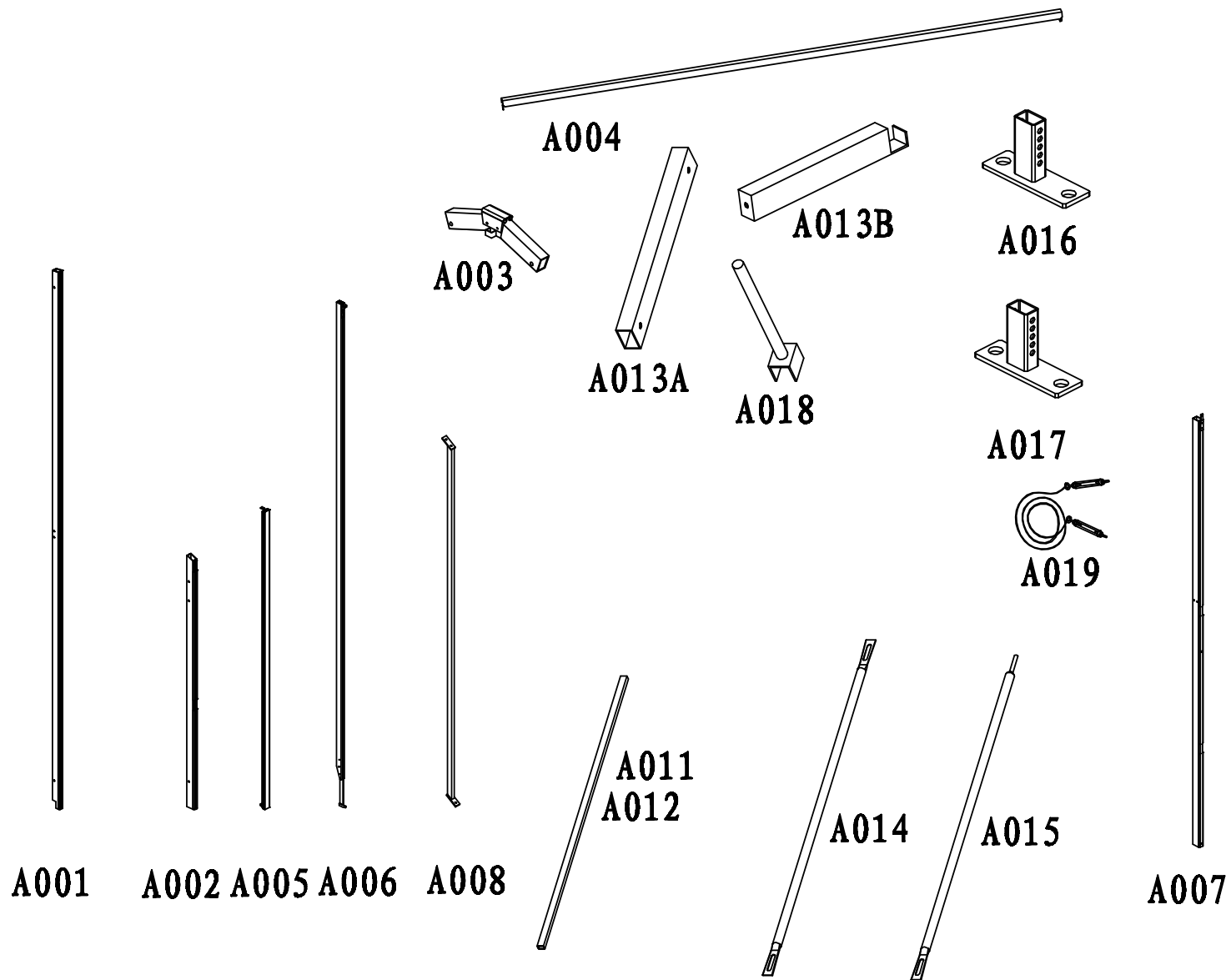
# 6m x 9m CREST INSTRUCTIONS

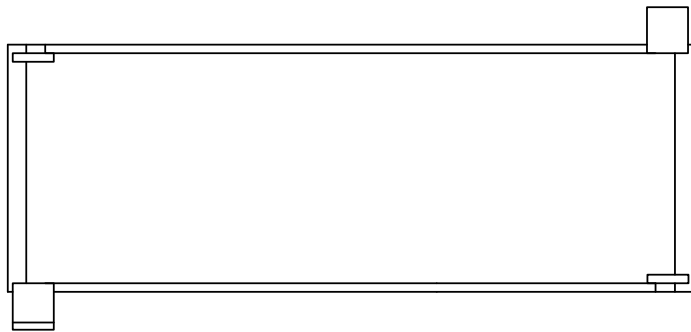
Page 2

23/03/2017

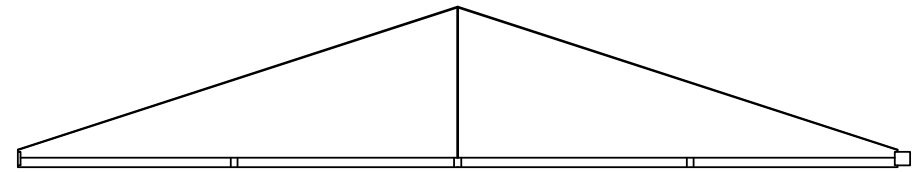


No.	Item	No.	Item
A001	Roof Beam	A013B	Inner Connector of Fabric Controlling Bar B
A002	Left & Right Pole	A014	Bottom Wall Bar
A003	Tie-in	A015	Bottom Wall Bar
A004	Square Tube	A016	Foot Plate
A005	Side Purline	A017	Foot Plate of Gable Pole
A006	Side Purline of Gable	A018	Screw of Fabric Controlling Bar
A007	Pole of Gable	A019	Wire Cable
A008	Cross Base	B001	Roof Covering
A011	Tension Bar	B002	Gable Fabric
A012	Tension Bar	B004	Sidewall on Two Length Sides
A013A	Inner Connector of Fabric Controlling Bar A	B005	Sidewall on Two Width Sides

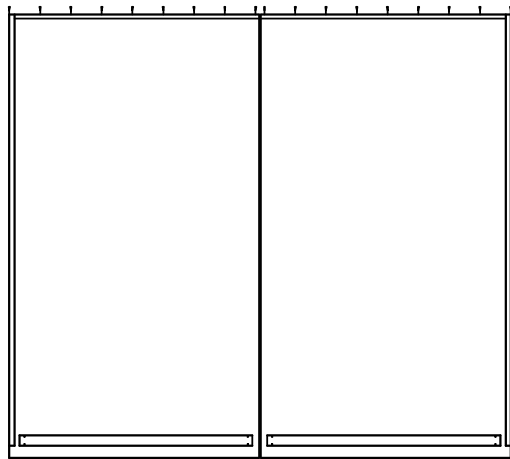




**B001**



**B002**



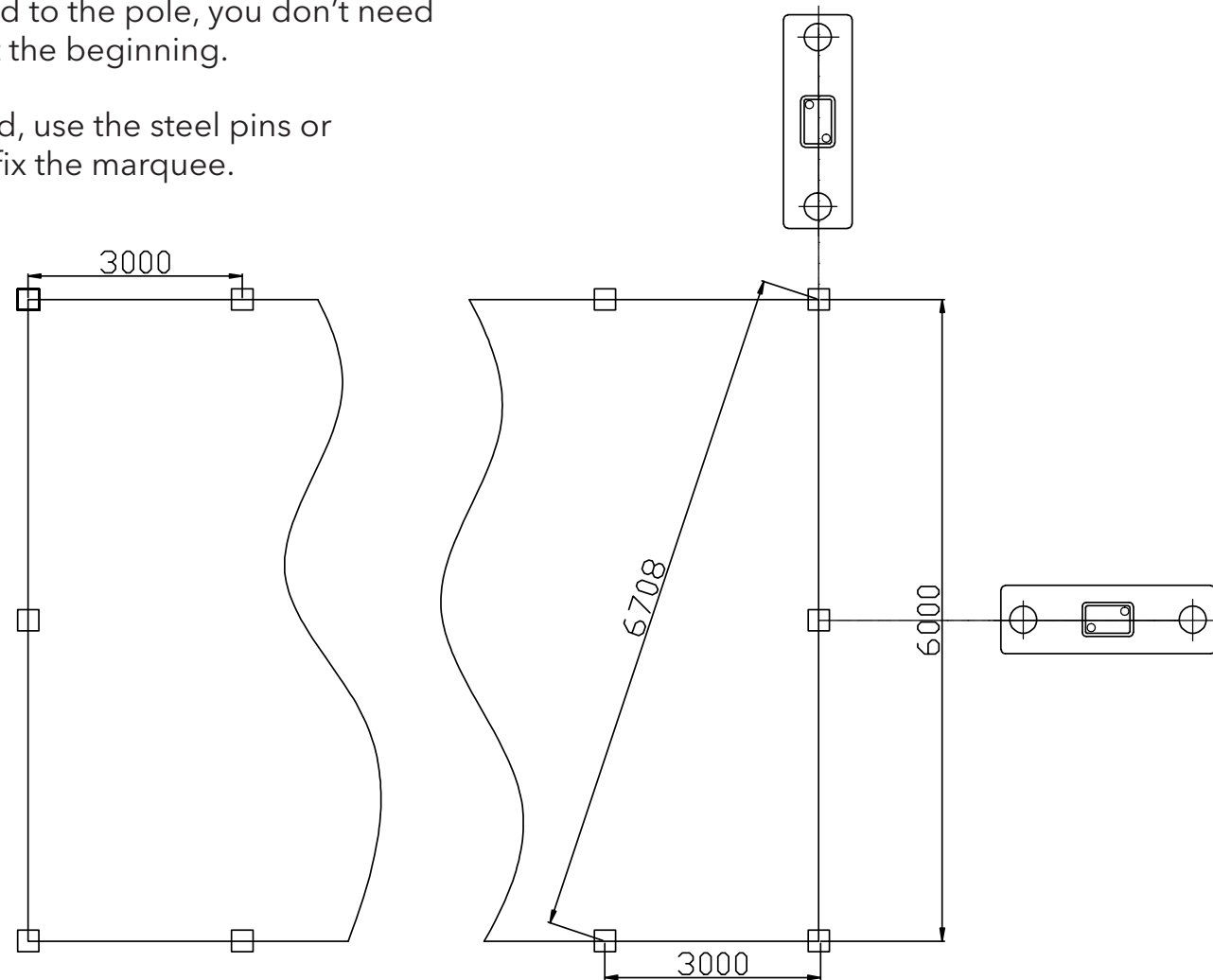
**B004 B005**

## Distribution Diagram of Groundwork

### Distance is from middle to middle

As shown in the figure, find the position of each footplate. Since the footplate of the marquee is fixed to the pole, you don't need to fix the footplate to the ground at the beginning.

When the tent installation is finished, use the steel pins or expansion bolt or loading plate to fix the marquee.



DO80687 Vimy Resources

## 6m x 9m CREST INSTRUCTIONS

Page 6

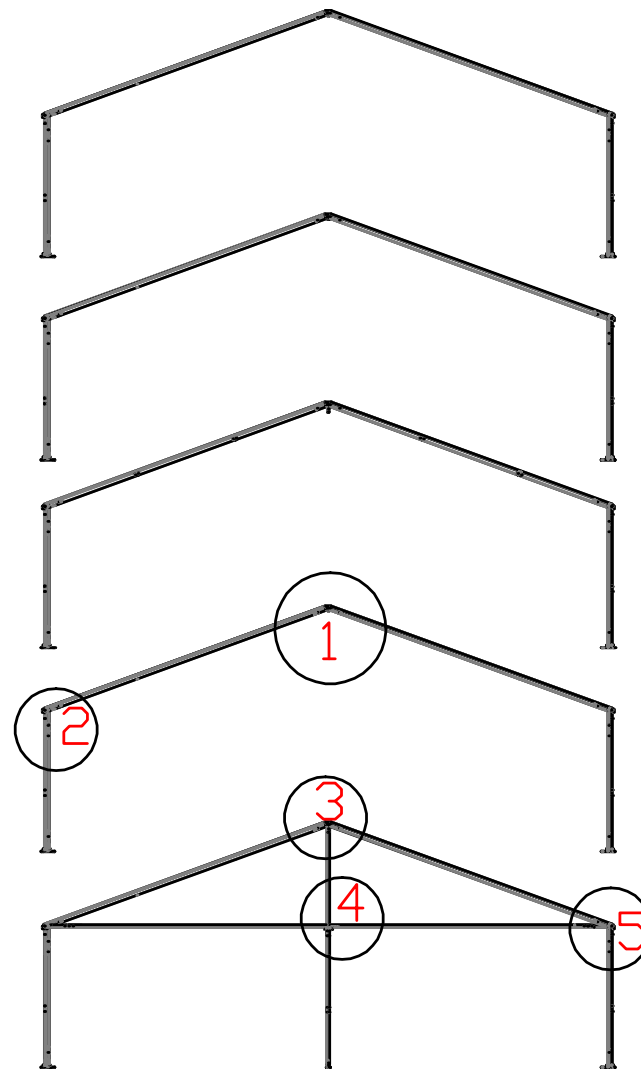
23/03/2017

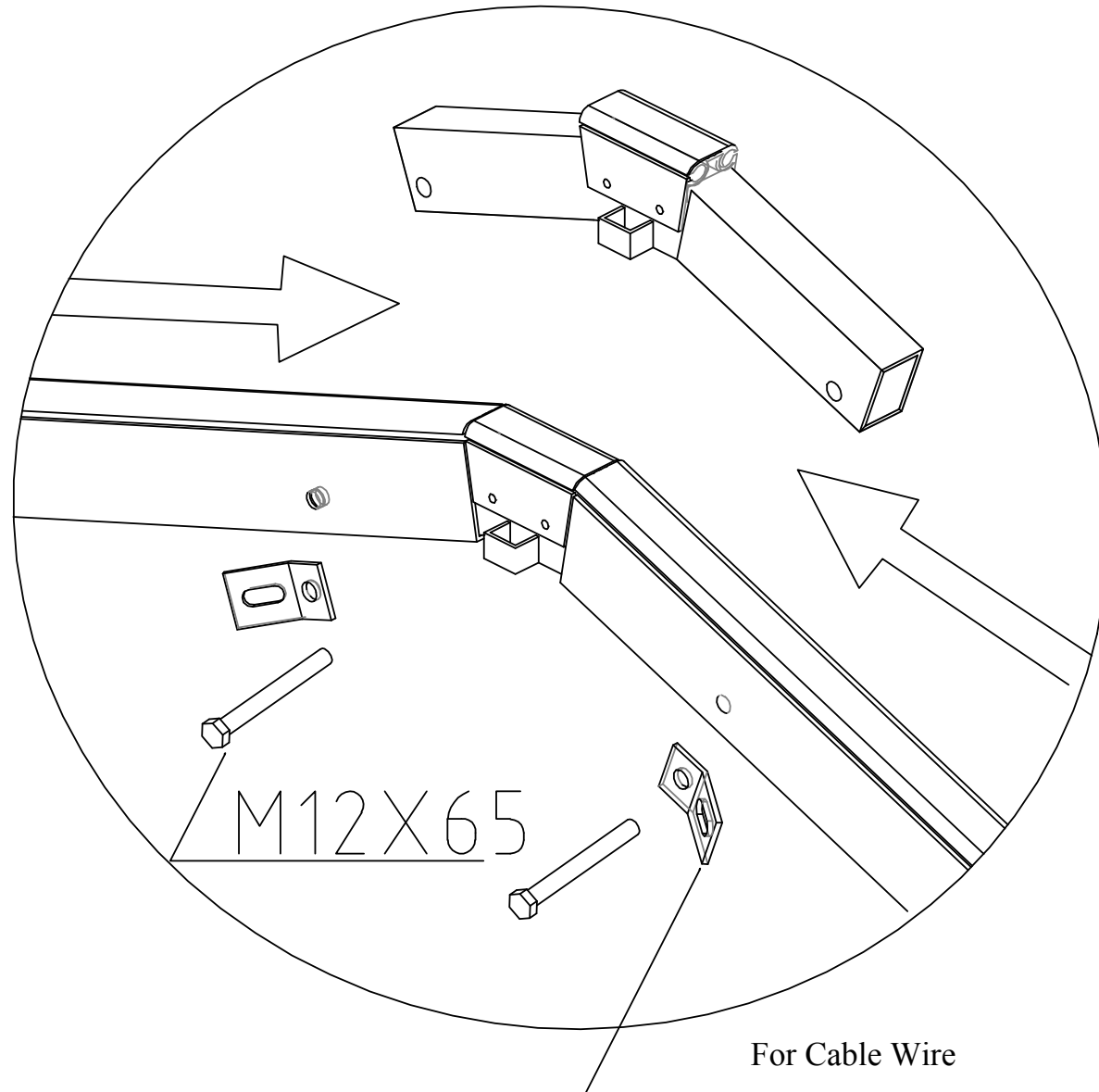


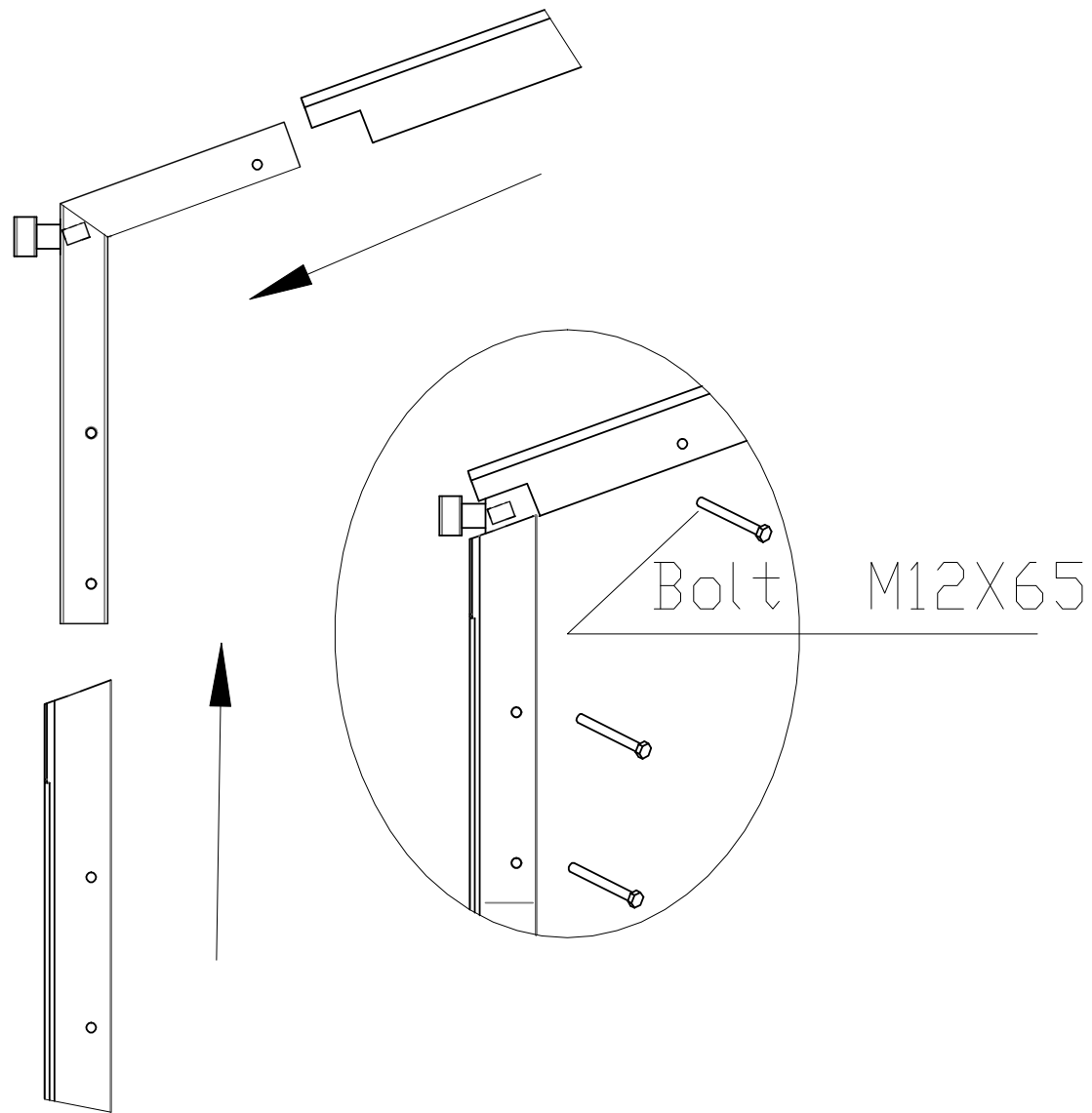
## Fixing on the ground

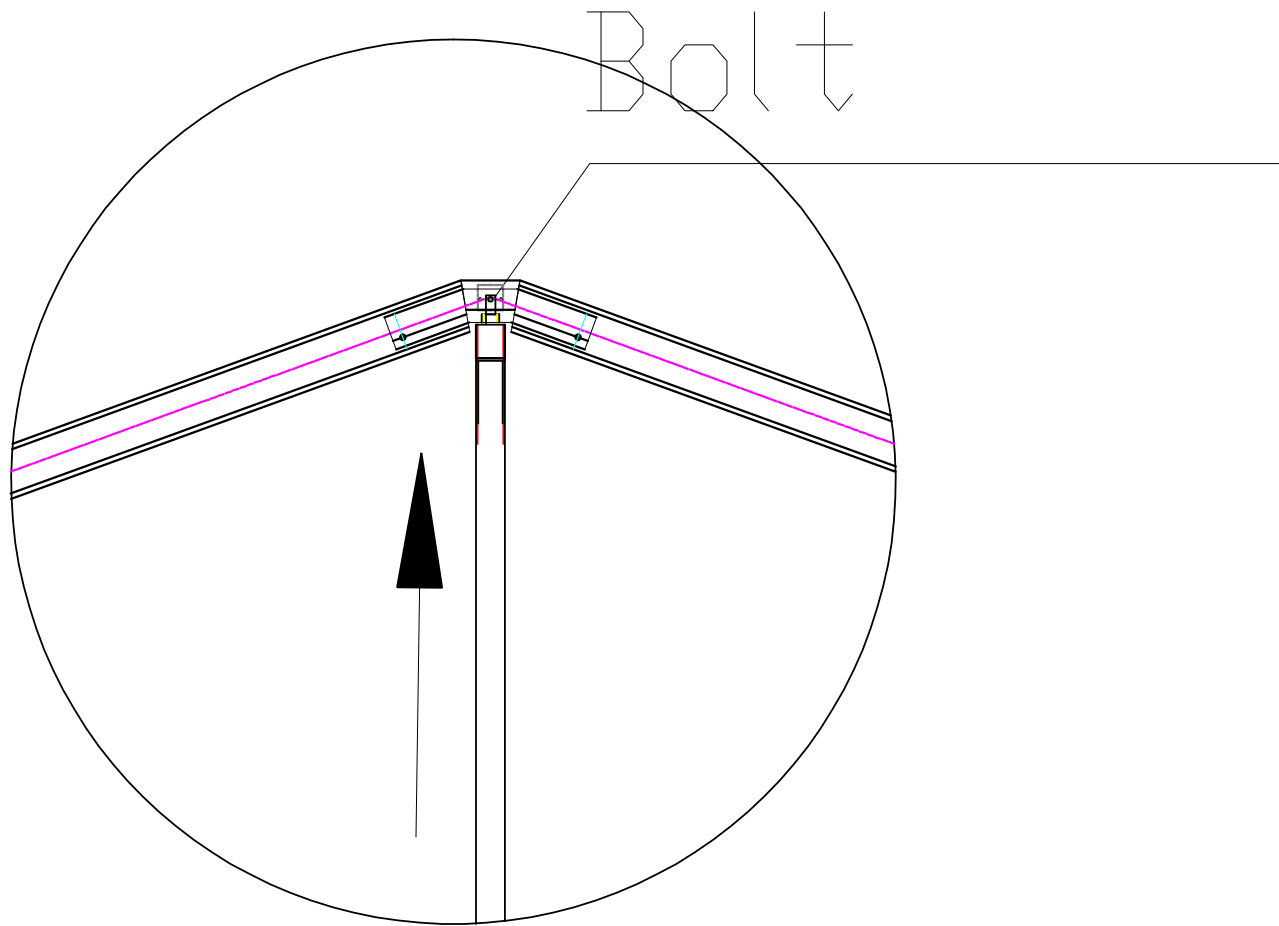
1. Fasten all footplates to the ground with expansion bolts.

2. The distance between foot plates is per drawing **Distribution Diagram of Groundwork**









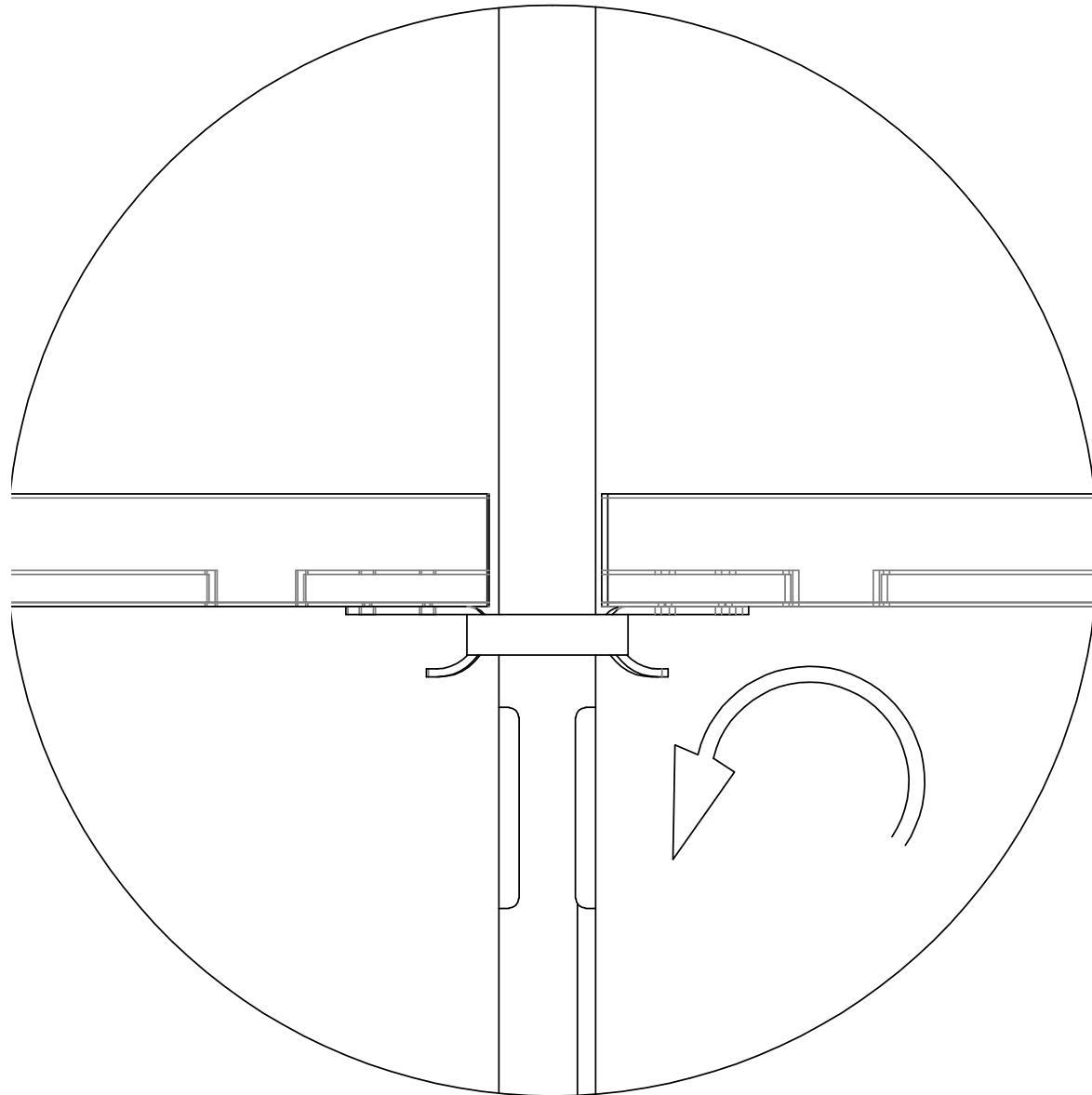
DO80687 Vimy Resources

## 6m x 9m CREST INSTRUCTIONS

Page 10

23/03/2017





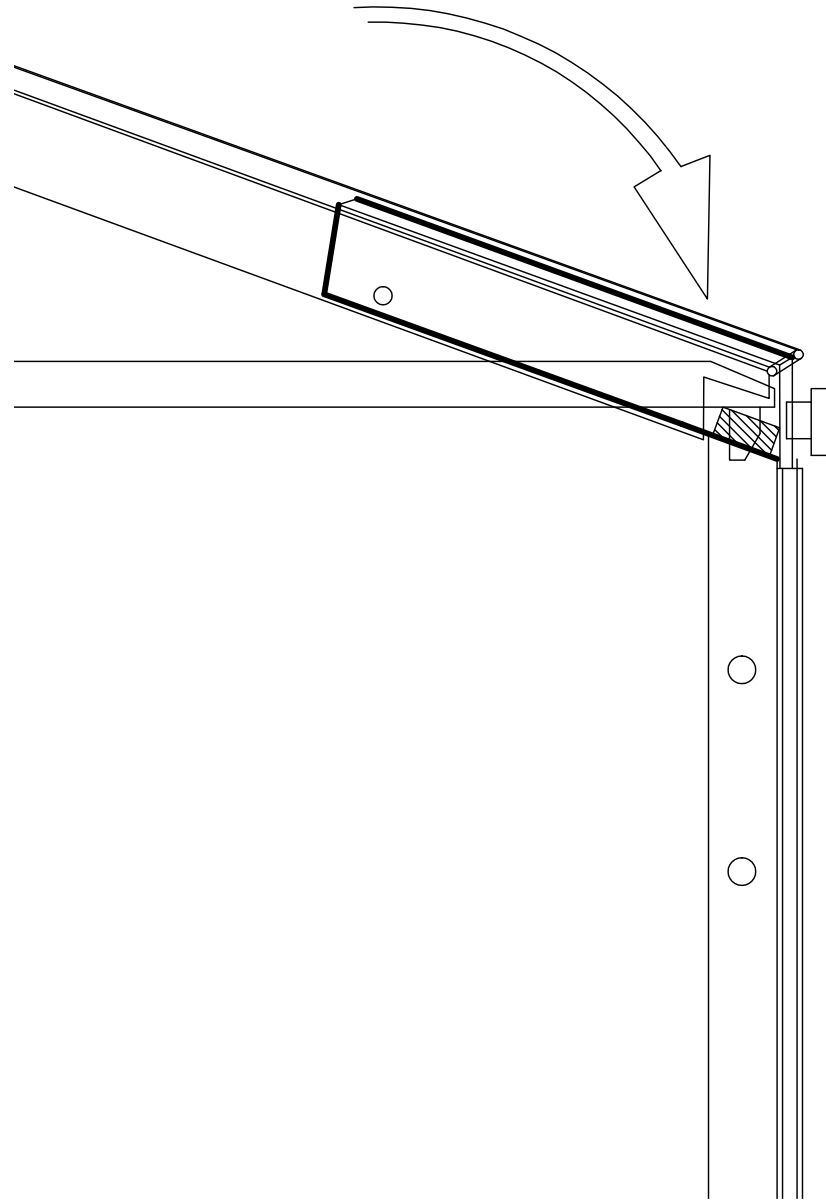
DO80687 Vimy Resources

## 6m x 9m CREST INSTRUCTIONS

Page 11

23/03/2017





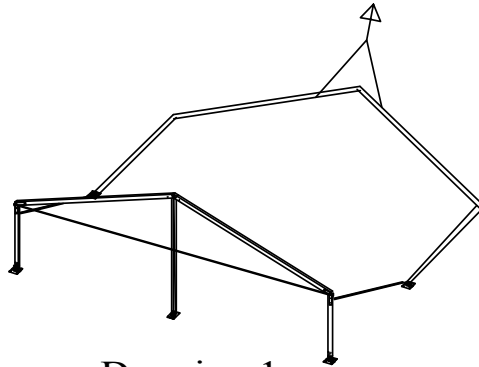
DO80687 Vimy Resources

## 6m x 9m CREST INSTRUCTIONS

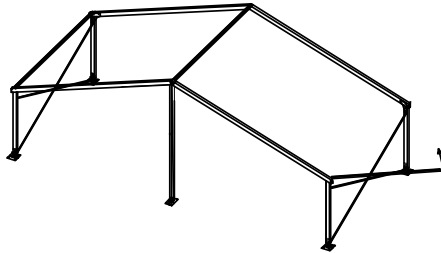
Page 12

23/03/2017

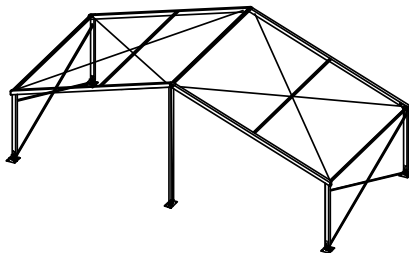




Drawing 1



Drawing 2

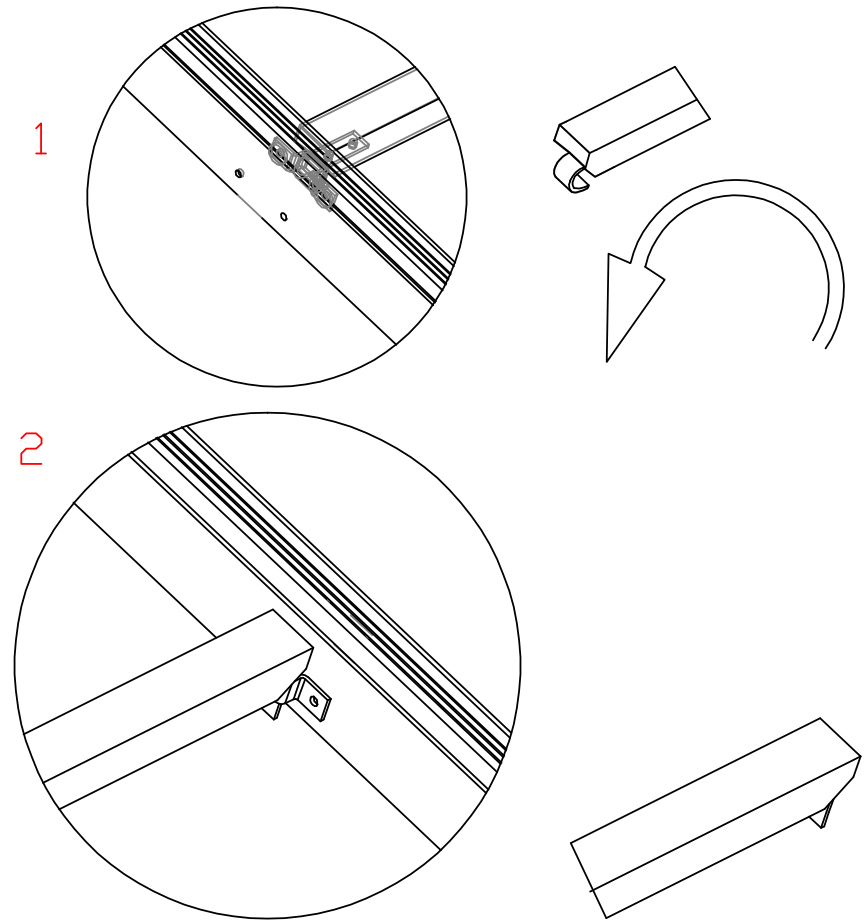
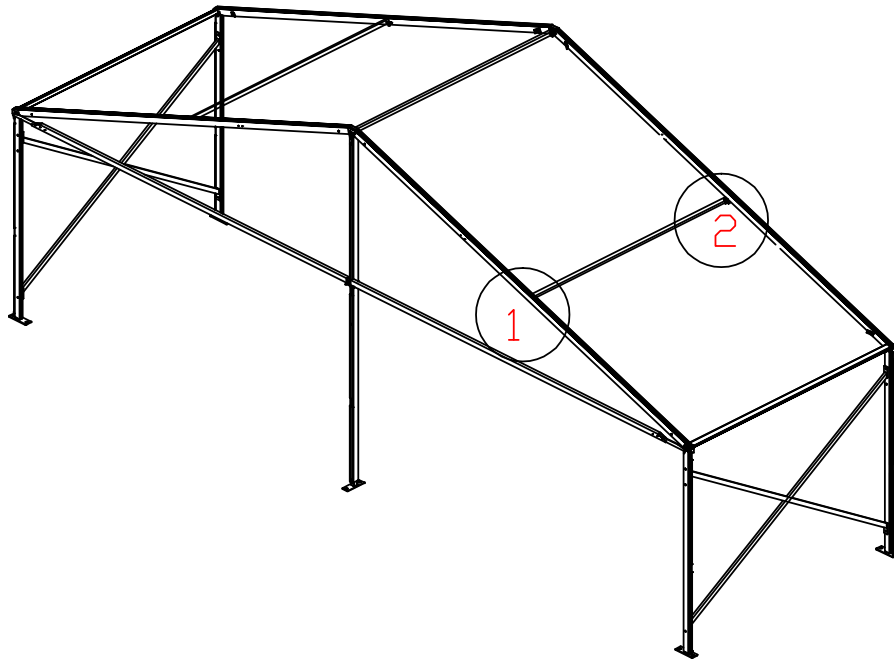


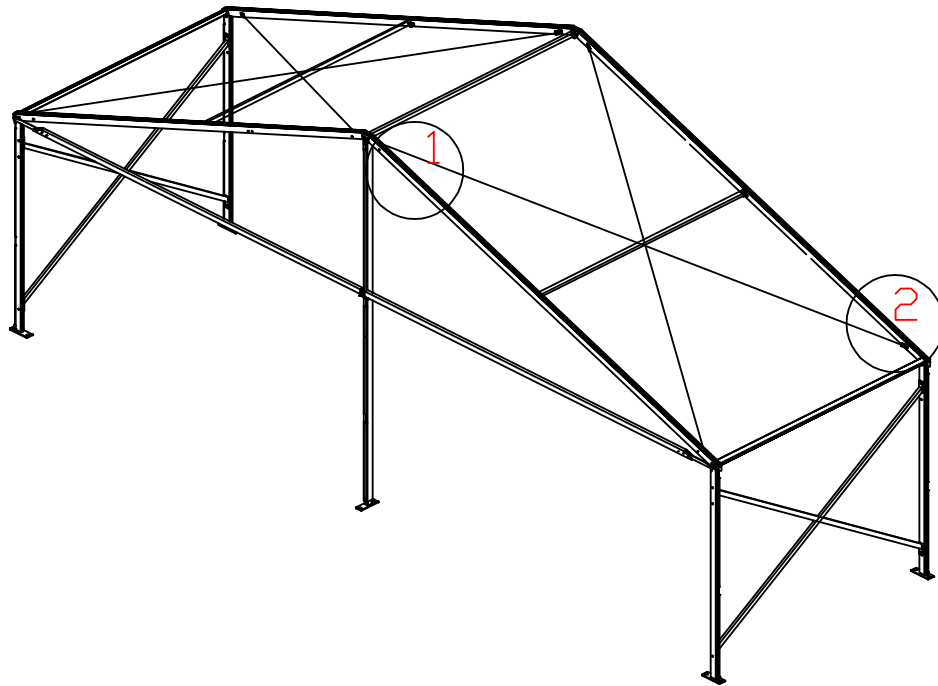
Drawing 3

## Assembly Drawing of Structure

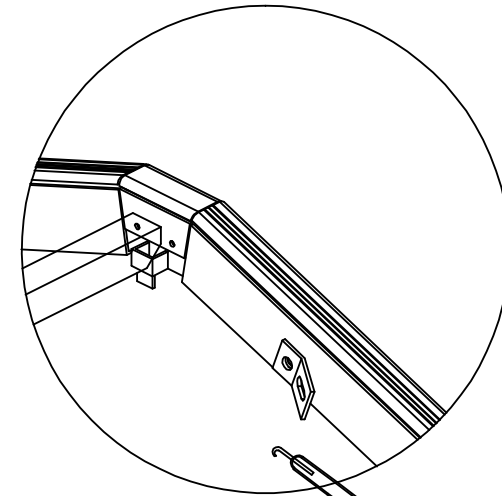
1. Once the all frame sections have been assembled. Lift Frame 1 up into the upright position.
2. Lift Frame 2 up while keep first section upright. (for safety reasons three to four installers required to support the sections whilst being installed, ropes are included for bracing) ( See Drawing 1)
3. Connect Frame 2 to frame 1 by installing the cross braces, fasten the cross braces on to the uprights using the fastening points. ( See Drawing 3)
4. Attach side purlins to Frame 1 and then attach Frame 2. Fasten square tubes to girders of Frame 1 and Frame 2. (Drawing 2)
5. Lift remaining frame sections and repeat assembly process.
6. Fasten the remaining braces when frame is assembled.
7. Fix wire cable between Frame 1 and 2 on roof beams in a cross section. (Drawing 3)

***For more detail refer to the following pages.***

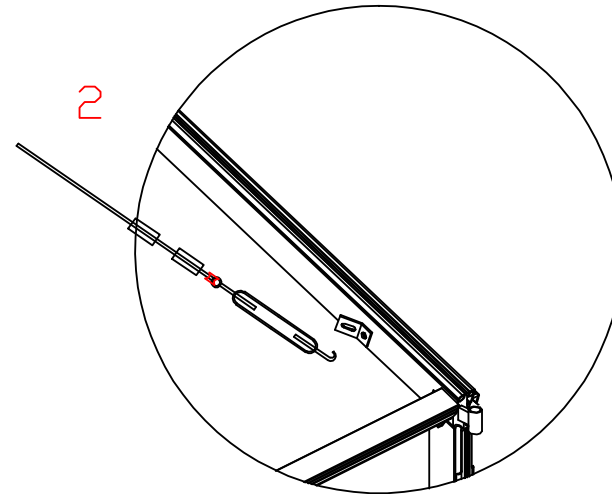




1



2



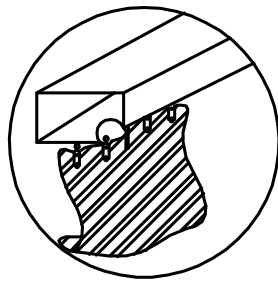
DO80687 Vimy Resources

# 6m x 9m CREST INSTRUCTIONS

Page 15

23/03/2017





## Assembly Drawing of Fabric

### Roof Covering Fabric

Unpack the Roof-Cover and put it onto a ground to avoid it getting dirty or damaged;

Throw 2 pieces of Setup-Ropes over the one bay of the frame;

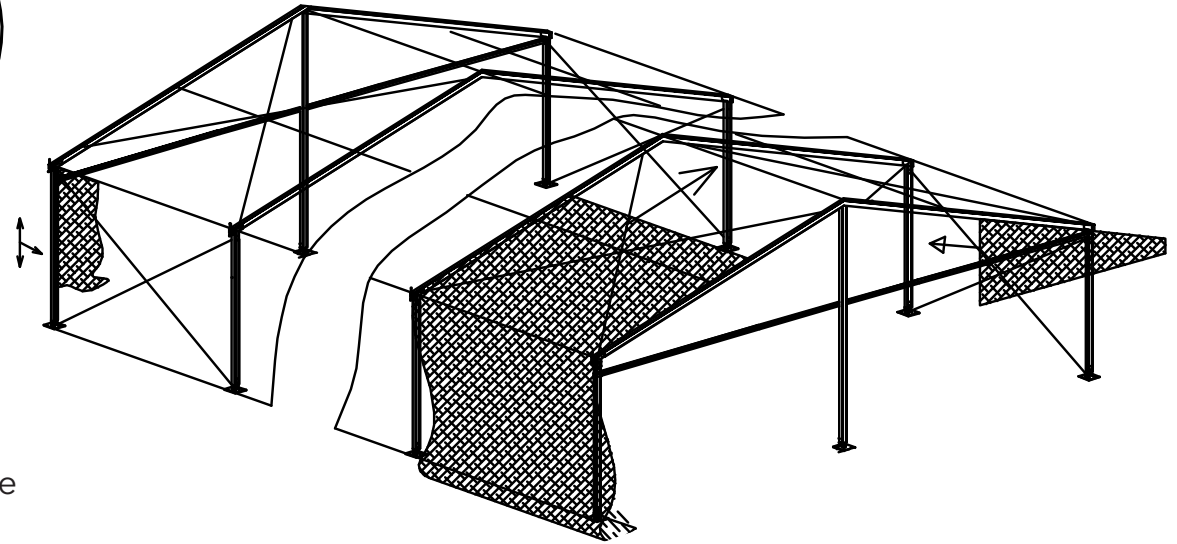
Tie one end of one rope onto the "D" ring at the corner of the roof cover. Repeat on other roof fabric.

Lift the Roof-Cover up to the eaves and feed the Keder track rope into the grooves of the Roof-Beams

Slowly slide the Roof-Cover into the bay by pulling on the other end of each rope. Care is required to ensure that the ropes are pulled uniformly and together;

Pull until the Roof-Cover reaches the opposite eaves; taking care not to drag the sheet on the ground.

Repeat the procedure until all Roof-covers have been pulled on.



CAUTION: Roof-Cover has to be completely inserted into the groove of the Roof-Beam.

### Gable Fabric

Divide the Gable cover in to two pieces;

Pulling each triangle up the Keder grooves.

Connect the two triangles together with the chords.

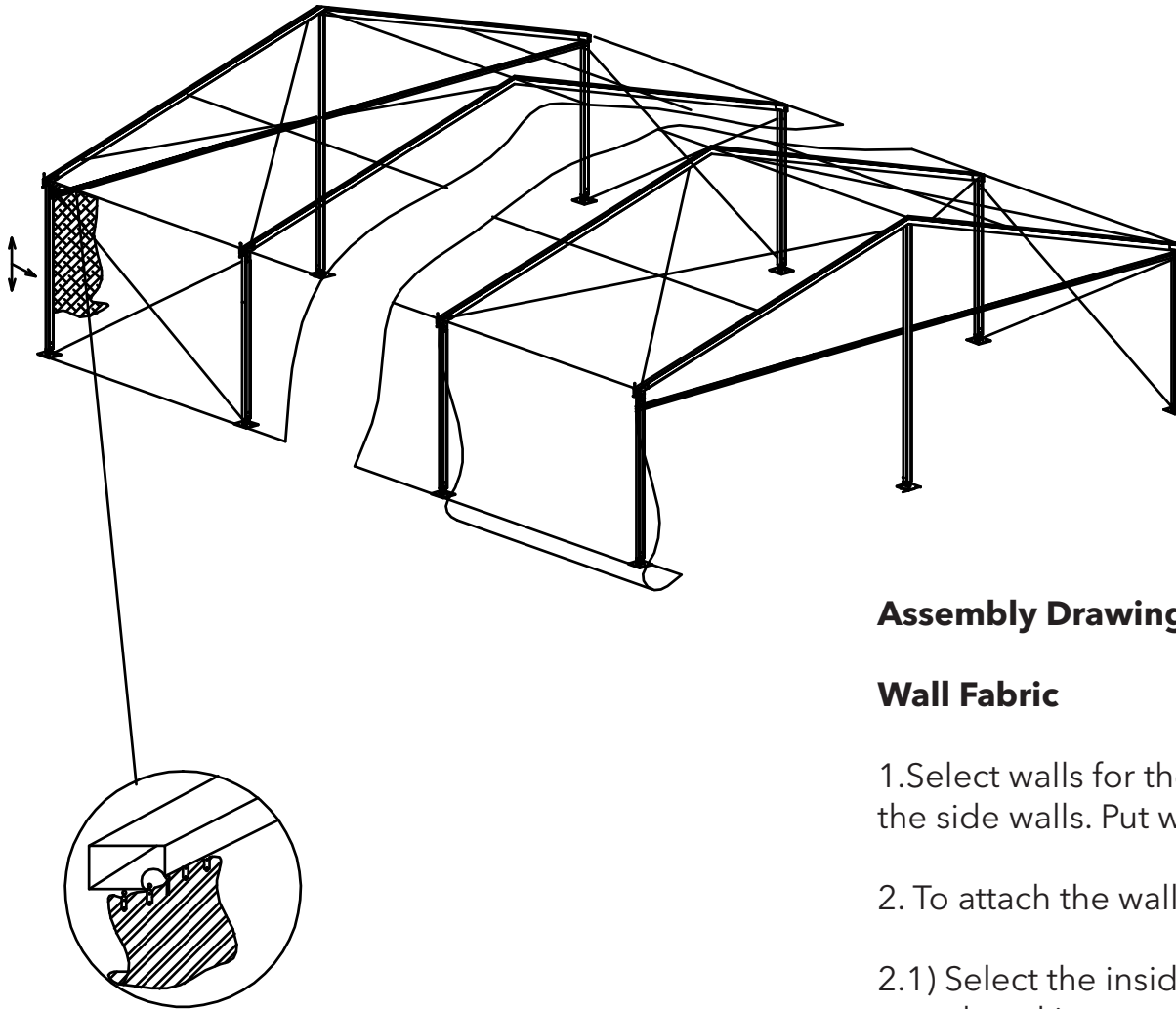
DO80687 Vimy Resources

## 6m x 9m CREST INSTRUCTIONS

Page 16

23/03/2017

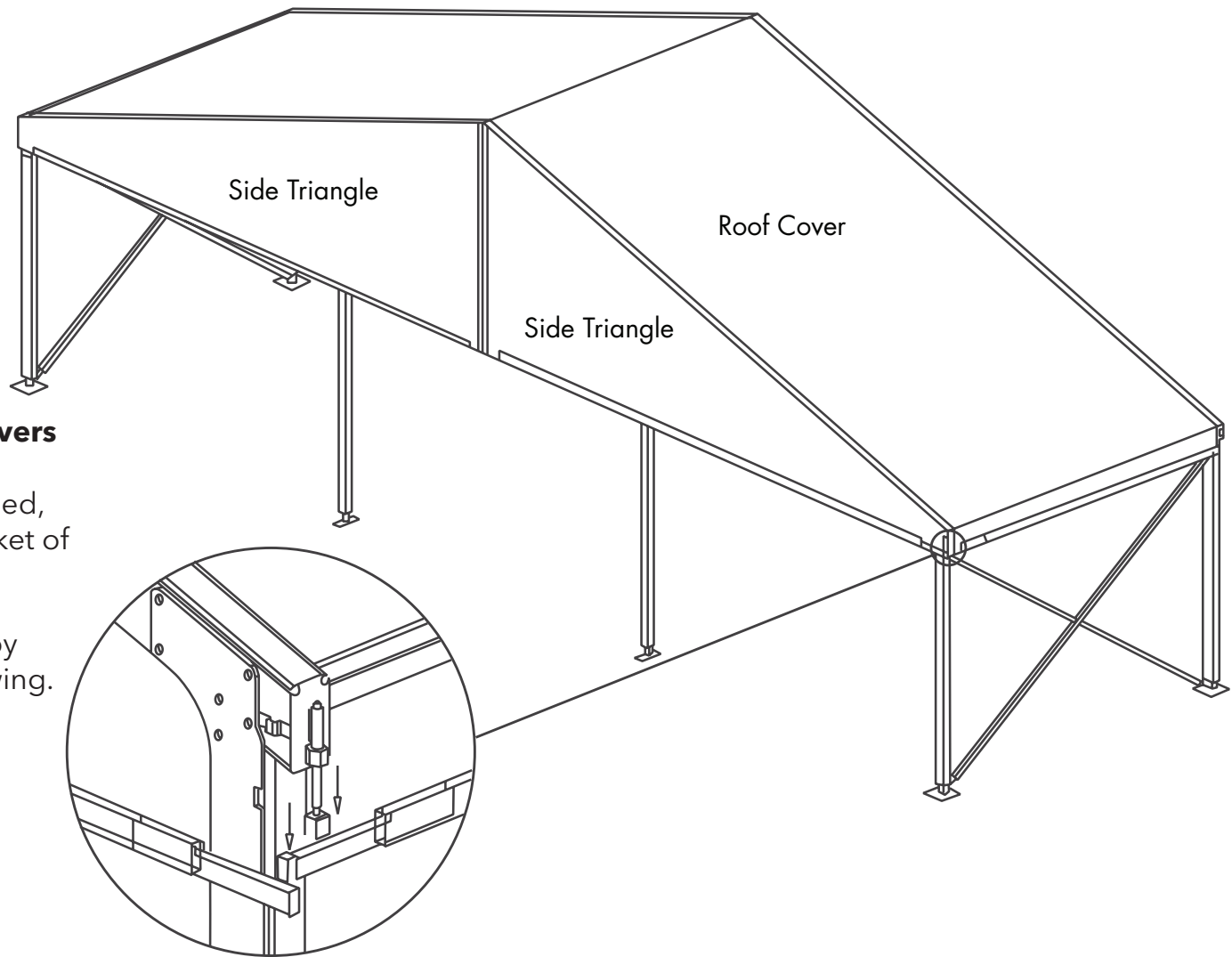




## Assembly Drawing of Fabric

### Wall Fabric

1. Select walls for the Front and Rear, width could be different to the side walls. Put wall to the side.
2. To attach the walls to the frame
  - 2.1) Select the inside and outside of wall. Top of the wall has the round tracking.
  - 2.3) Working from top of the frame to the ground. Insert the side wall into the upright post tracking.



### Tensioning the Roof Covers & Triangle Covers

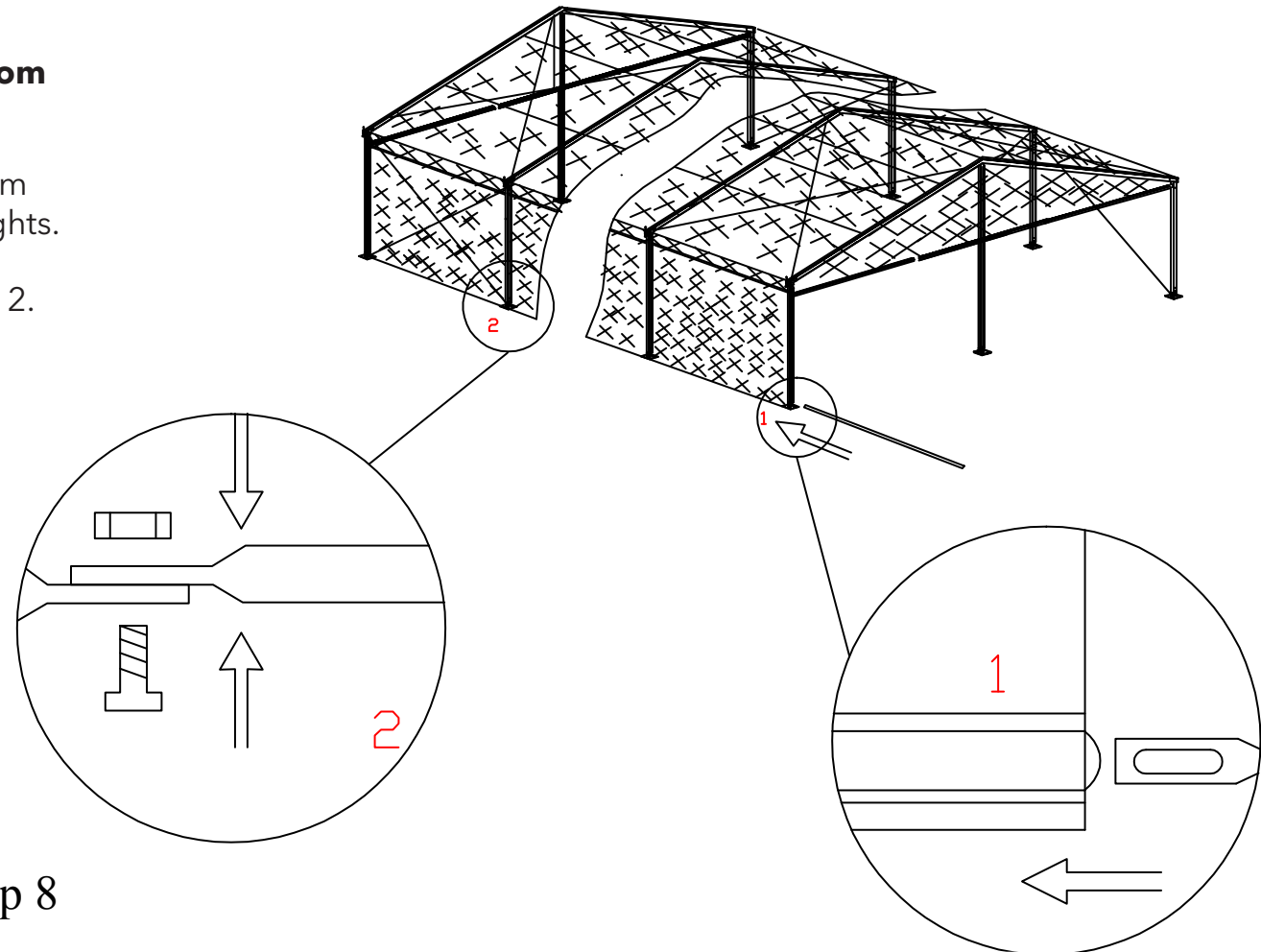
Once all Roof-Covers and Gable Ends attached, simply slide in the Tension-Bars into the pocket of the Roof-Cover and Gable-Triangle cover.

Then, fix the connection of the Tension-Bar by tensioning the rigging screws as below drawing.

## Assembly Drawing of Fabric Bottom of Wall Bar

Sliding the steel bars into the bottom of the wall panels and then fix to uprights.

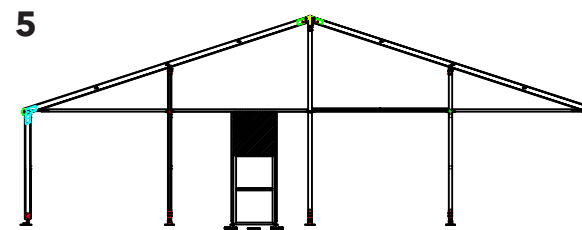
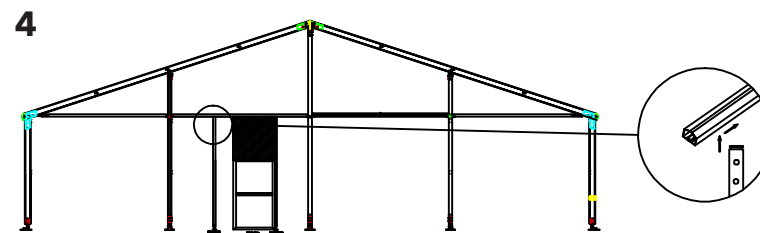
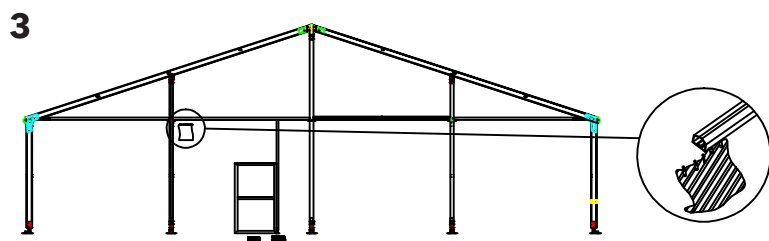
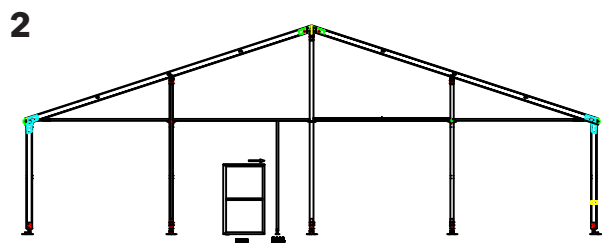
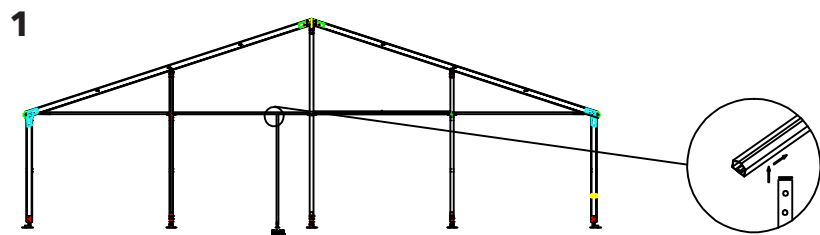
As per the below illustrations 1 and 2.



Step 8

## Caution

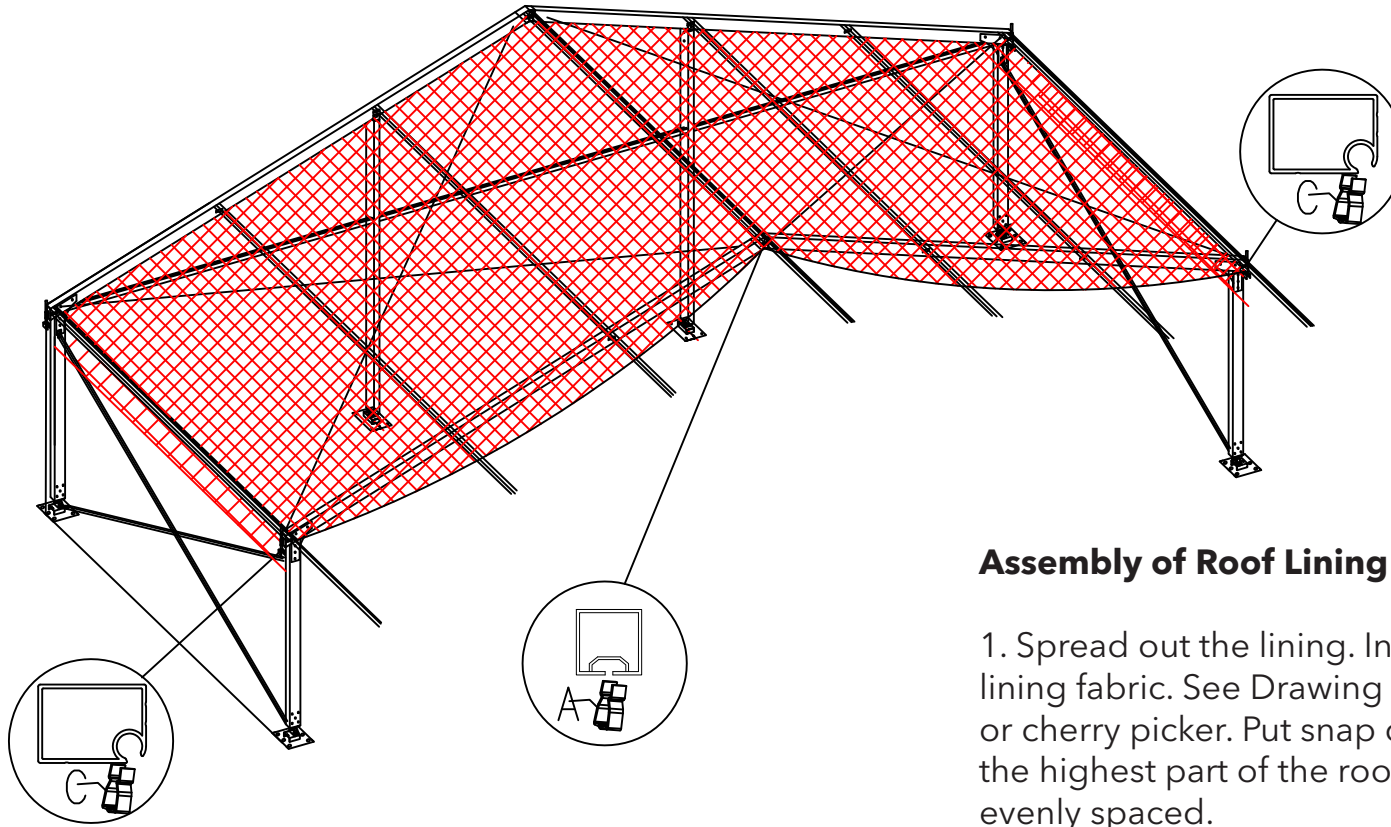
1. Don't put heavy items on the components when they are being transported.
2. The PVC should be cleaned with neutral detergent other than any acidic or alcohol solutions. Only pack the pvc when it is dried thoroughly
3. Keep the storage house clean and dry, and check the goods regularly when the tent has not been used for a long time.
4. Choose the appropriate method of ground fixings according to the type of surface.
  - A. Concrete ground(the thickness of concrete layer should be not be less than 17cm),expansion bolt M16x100 is suggested.
  - B. Grass or Sand , Steel Pins are suggested.
  - C. DO NOT USE Expansion bolts and steel nails on grass or sand surfaces. Foot Weight plates are suggested and the correct use of weight as per Engineering Certificates.
5. Wind rating as per engineering certificate, please review for weather conditions.
6. If in snowy areas please remove snow when more then 10cm thick.
7. Do not attach roof and wall fabric until frame is assembled and secured.
8. When the marquee is in use, do not leave your marquee unattended.
9. When the Marquee is use and if part of the structure looks damaged or not fit for purpose the marquee should be dismantled at once for safety reasons.



### Assembly of Door

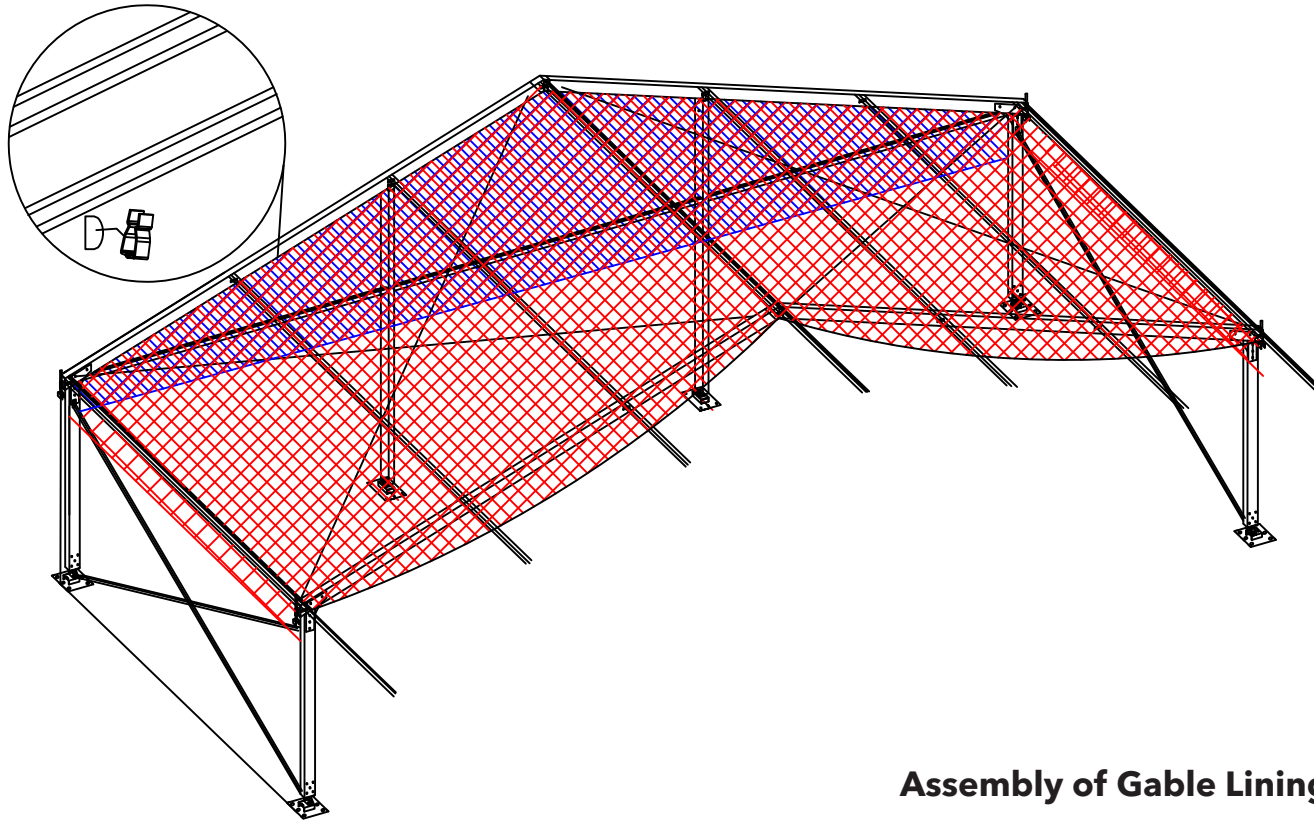
1. Put the top end of the door pole into the channel of side purlin. See picture 1.
2. Fix the door frame to the first door pole which was just fitted, then fasten the screw.
3. Put the fabric of the door to the right place according to picture 3.
4. Fix the second door pole according to what shows on picture 4.
5. Fix left sidewall of door. The door can be fixed to tent before or after the sidewall of tent has been fixed.

*NOTE: The drawing is for reference only, the actual item is the standard.*



### Assembly of Roof Lining

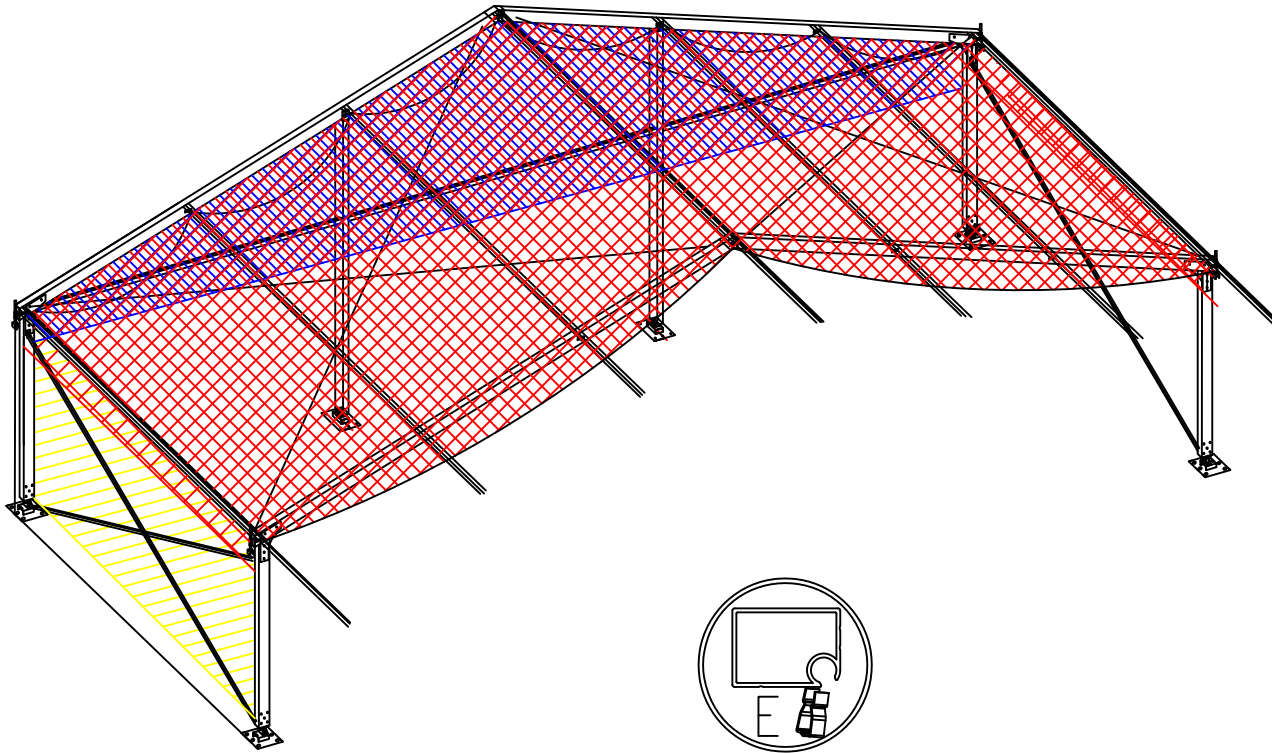
1. Spread out the lining. Install the snap clips in the middle of the lining fabric. See Drawing A. One person on a ladder/ scaffolding or cherry picker. Put snap clips into channel of the square tube on the highest part of the roof. Keep the space between each snap clip evenly spaced.
2. Install the snap clips on each end of the lining and put the snap clips into the channel of side purlin. See drawing C. Do the same of the girder side.



### Assembly of Gable Lining

Spread the gable lining, then put the snap clips of side lining into the channel girder.

See drawing D.



### Assembly of Side Lining

Spread the side lining, then put the snap clips of the side lining into channel on the other side of purlin.

See drawing E.